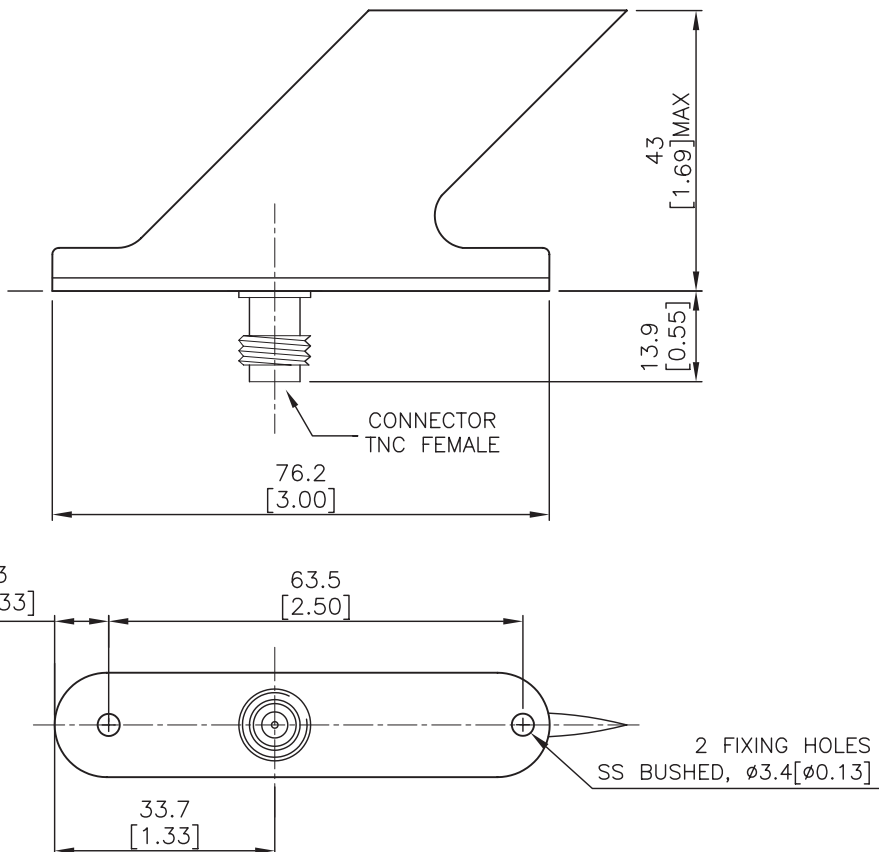




JL 50 is a L-band antenna used with the telemetry system of Light Combat Aircraft (LCA). The antenna has excellent omnidirectional pattern over the entire band. The radiating element is encased in a single piece glass fibre reinforced epoxy radome. These antennas are designed as light weight, low profile, low drag stub antennas ideally suited for high performance supersonic aircraft.

ELECTRICAL		SPECIFICATIONS
Frequency Range	1430 MHz - 1540 MHz	
VSWR	2:1(max)	
Polarization	Vertical	
Radiation Pattern	Omnidirectional in azimuth	
Impedance RF	50 Ohms Nominal	
Power RF	30 W CW	
MECHANICAL		
Weight	50 grams (max)	
Height	43 mm (max)	
Material	Glass Epoxy	
Finish	Gloss	
Connector	See Order Options	
ENVIRONMENTAL		
Temperature	-55° C to +90° C -70° C to +120° C (Optional)	
Altitude	60000 feet	
ORDER OPTIONS		
CONNECTOR		
TNC	Standard	
BNC	Optional	
COLOUR		
White	Standard	
Black/Other	Optional	

\*Contact us for your customized requirements. Use customization sheet at the end



Dimensions are in mm  
Inches shown in bracket